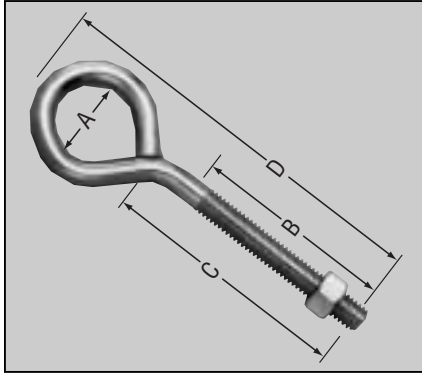


# Blue Diamond™ Wrought Nut Eye Bolts

## Bent Eyes Welded Closed

- 1010 Carbon Steel
- Zinc Plated



**NOT RECOMMENDED  
FOR LIFTING**

- Furnished with hex nuts (unassembled)
- All sizes manufactured with rolled threads

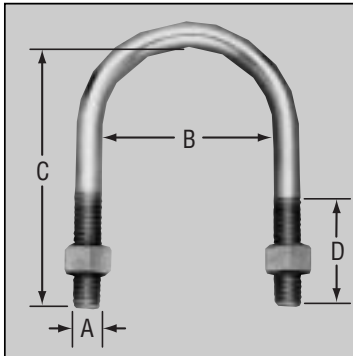
Stock No.	Thread Dia.	I.D. Eye A	Thread Length B	Shank Length C	Overall Length D	Approx. Wt. Per 100 Pcs.
24500	1/4-20	9/16	7/8	1	2	3.6
24510	1/4-20	9/16	1 1/8	1 1/2	2 1/2	4.0
24530	1/4-20	9/16	1 1/2	2	3	4.6
24540	1/4-20	9/16	1 1/2	3	4	5.4
24550	1/4-20	9/16	1 1/2	4	5	6.6
24560	1/4-20	9/16	1 1/2	5	6	7.0
24630	5/16-18	3/4	1 7/8	1 15/16	3 1/4	8.2
24640	5/16-18	3/4	2	2 5/8	4	9.9
24650	5/16-18	3/4	2 1/2	3 5/8	5	11.6
24660	5/16-18	3/4	2 1/2	4 5/8	6	13.4
24740	3/8-16	1	2 1/8	2 1/4	4	15.7
24750	3/8-16	1	2 1/2	3 3/4	5	16.8
24760	3/8-16	1	2 1/2	4 1/4	6	20.6
24780***	3/8-16	1	2 1/2	6 1/4	8	25.3

\*\*\*These products will be discontinued when stock is depleted.

# Blue Diamond™ U-Bolts

## U-Bolts Unassembled with Nuts

- 1010 Carbon Steel
- Zinc Plated



- All sizes manufactured with rolled threads.

Stock No.	Thread Dia. Inches A	Width Bet. Legs Inches B	Inside Length Inches C	Thread Length Inches D	Pipe Size Inches	Wt. Per 100 Pcs.
34010	1/4-20	3/4	1 1/4	3/4	3/8	4.8
34020	1/4-20	3/4	1 3/4	3/4	3/8	5.8
34030	1/4-20	3/4	2 1/4	1 1/2	3/8	6.8
34070	1/4-20	1	1 3/4	3/4	1/2	6.0
34080	1/4-20	1 1/8	2	3/4	3/4	6.5
34090	1/4-20	1 3/8	2 1/4	3/4	1	7.4
34100	1/4-20	1 3/4	2 3/4	1	1 1/4	8.5
34110	1/4-20	2	3 1/4	1 1/4	1 1/2	9.5
34120	1/4-20	1 1/2	3 1/2	2	1	9.8
34200	5/16-18	1 3/8	2 3/16	1	1	11.6
34210	5/16-18	1 3/8	3 1/16	1 1/2	1	16.5
34220	5/16-18	1 3/4	2 1/16	1	1 1/4	13.6
34240	5/16-18	2	2 1/16	1	1 1/2	13.6
34250	5/16-18	2	3 1/16	1 1/2	1 1/2	17.2
34270	5/16-18	2 1/2	3 3/16	1 1/2	2	16.0
34292	3/8-16	1	2 1/4	1 1/4	1/2	17.7
34301	3/8-16	1 3/8	3 1/8	1 1/2	1	21.5
34303	3/8-16	1 1/2	2 1/2	1 1/4	1	19.2
34304	3/8-16	2	3 1/8	1 1/4	1 1/2	23.0
34310	3/8-16	2 1/2	3 5/8	1 1/2	2	24.9
34320	3/8-16	3	4 1/8	1 1/2	2 1/2	28.0
34330	3/8-16	3 5/8	4 5/8	1 1/2	3	32.3
34400	1/2-13	3	4 1/2	1 1/2	2 1/2	58.0
34410	1/2-13	3 1/2	5	1 1/2	3	66.5
34420	1/2-13	4	5 1/2	1 1/2	3 1/2	68.0
34430	1/2-13	4 5/8	6	1 1/2	4	74.0
34440***	1/2-13	5 5/8	7	2	5	86.5
34450	1/2-13	6 3/4	8	2	6	101.5
34455	1/2-13	8 3/4	10 3/8	2	8	125.0
34474***	5/8-11	8 3/4	11 1/2	4	8	253.0

\*\*\*These products will be discontinued when stock is depleted.

# Blue Diamond™ U-Bolts

Stock No.	Thread Dia. Inches A	Width Bet. Legs Inches B	Inside Length Inches C	Thread Length Inches D	Pipe Size Inches	Wt. Per 100 Pcs.
SS34010	1/4-20	3/4	1 1/4	3/4	3/8	4.8
SS34030	1/4-20	3/4	2 1/4	1 1/2	3/8	6.8
SS34070	1/4-20	1	1 3/4	3/4	1/2	6.0
SS34080	1/4-20	1 1/8	2	3/4	3/4	6.5
SS34090	1/4-20	1 3/8	2 1/4	3/4	1	7.4
SS34100	1/4-20	1 3/4	2 3/4	1	1 1/4	8.5
SS34110	1/4-20	2	3 1/4	1 1/4	1 1/2	9.5
SS34200	5/16-18	1 3/8	2 3/16	1	1	11.6
SS34220	5/16-18	1 3/4	2 1 1/16	1	1 1/4	13.6
SS34240	5/16-18	2	2 1 1/16	1	1 1/2	13.6
SS34270	5/16-18	2 1/2	3 3/16	1 1/2	2	16.0
SS34292	3/8-16	1	2 1/4	1 1/4	1/2	17.7
SS34303	3/8-16	1 1/2	2 1/2	1 1/4	1	19.2
SS34304	3/8-16	2	3 1/8	1 1/4	1 1/2	23.0
SS34310	3/8-16	2 1/2	3 5/8	1 1/2	2	24.9
SS34320	3/8-16	3	4 1/8	1 1/2	2 1/2	28.0
SS34330	3/8-16	3 5/8	4 5/8	1 1/2	3	32.3

All stainless electropolished.  
Stainless steel strap washers available. Call for quote.

Stock No.	Thread Dia. A	Width Bet. Legs B	Inside Length C	Thread Length D	Wt. Per 100 Pcs.
36000	3/8-16	2	3	1 1/2	20.0
36005	3/8-16	2	5	3	29.6
36010***	3/8-16	2	7	3 3/4	39.2
36015	3/8-16	4	3	1 1/2	24.8
36020	3/8-16	4	5	3	34.4
36025***	3/8-16	4	7	3 3/4	57.0
36030***	3/8-16	6	5	3	39.2
36035***	3/8-16	6	7	3 3/4	63.2
36040***	3/8-16	6	9	5 5/8	59.6

\*Strap washers not included.  
\*\*\*These products will be discontinued when stock is depleted.

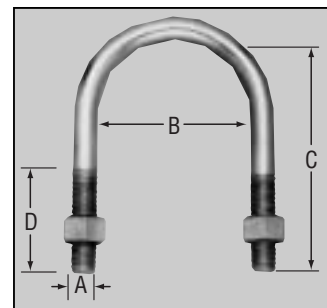
Stock No.	Width Between Slots A	Approx. Dimensions			Slot Size	Wt. Per 100 Pcs.
		Length Overall B	Thickness			
35501	19/32	2 15/32	.094	9/32 X 1 1/16	3.5	
35601	9/32	2 1/8	.080	5/16 X 1 1/16		
35502	13/16	3 1/16	.094	9/32 X 1 1/16	3.8	
35602	3/4	2 1/2	.080	5/16 X 1 1/16		
35503	1 1/4	3 3/32	.094	1 1/32 X 1 1/16	4.8	
35603	1 1 1/32	3 1/8	.080	5/16 X 1 1/16		
35504	1 13/16	3 1 1/16	.094	1 1/32 X 1 1/16	5.9	
35604	1 15/16	3 3/4	.080	13/32 X 1 1/16		
35505	1 5/16	3 3/16	.125	7/16 X 3/4	9.6	
35605	2 3/4	4 9/16	.080	13/32 X 1 1/16		
35506	2 5/8	4 3/8	.125	7/16 X 3/4	13.1	
35606	3 1/8	4 15/16	.080	13/32 X 1 1/16		
35507	3 1/8	5 1/8	.125	7/16 X 3/4	14.0	

Stock No.	U-bolt Stock Nos.	Stock No.	U-bolt Stock Nos.
35501	34010 – 34090	35601	34010 – 34080
35502	34100 – 34120	35602	34090, 34200, 34210
35503	34200 – 34220	35603	34100 – 34120, 34220 – 34250
35504	34240 – 34250	35604	34270, 34304 – 34310
35505	34301 – 34304	35605	34320
35506	34310 – 34320	35606	34330
35507	34330		

## Stainless Steel U-Bolts

• 304 Stainless Steel

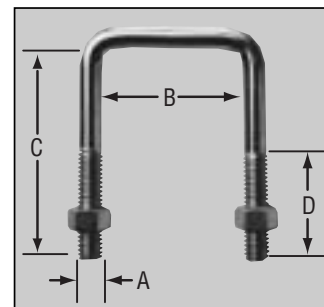
• Furnished with stainless steel hex nuts (unassembled).



## Square Bend U-bolts

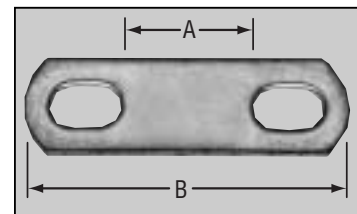
Unassembled with Nuts\*

• 1010 Carbon Steel  
• Zinc Plated



## Strap Washers

• 1010 Carbon Steel  
• Zinc Plated\*



\*304 & 316 Stainless steel strap washers available. Call for quote.